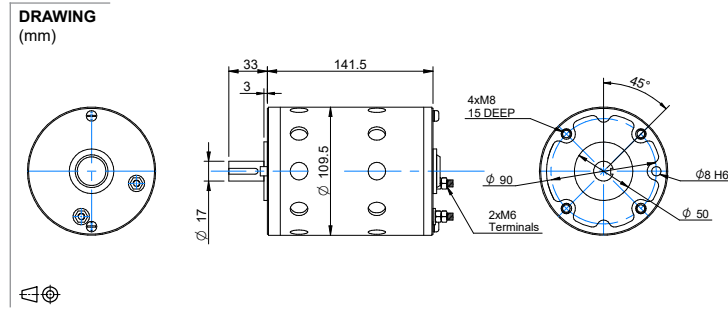


# D109141 / Ø 109mm / 248W



**ADDITIONAL**

## MODEL NO. DESIGNATIONS

MODEL - VOLTAGE

Example: D109141-12

## MOTOR DATA

	12	24
Nominal voltage (V)	12	24
No load speed (rpm)	2700	2800
No load current (A)	14.00	6.80
Nominal speed (rpm) *	2200	2300
Nominal torque (mNm) *	1030	1030
Nominal current (A)	35.8	17.1
Stall torque (mNm)	5658	5702
Starting current (A)	170	84
Output (W)	237	248
Length (mm)	141	141

(\*) Nominal speed and nominal torque have a tolerance of ± 15%