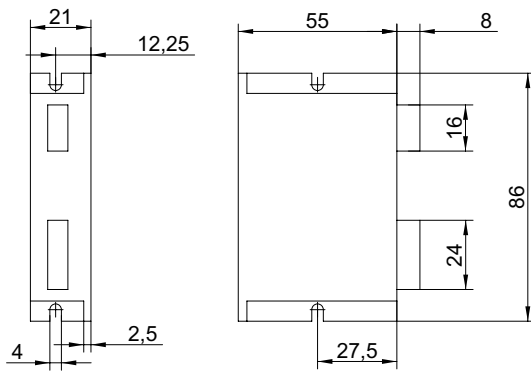
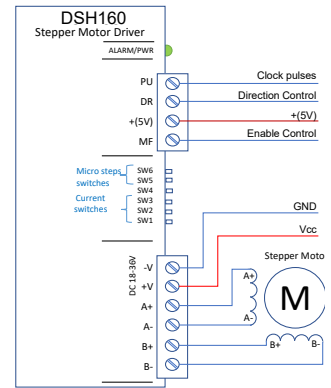


DRAWING (mm)



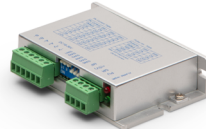
DIAGRAM



OPTIONS POWER SUPPLIES



PHOTO



MODEL NO. DESIGNATION

DSH - NOMINAL CURRENT

Example: DSH-160

DRIVER DATA	
Model	DSH-160
Nominal current	A 1.6
Max. current	A 2.2
Weight	kg 0.10
IP rating	IP20
Operating temperature	°C 0 to 50

SWITCH	DESCRIPTION	ON SETTING	OFF SETTING
SW4	Full and half current	Full current always	Half current when pulse time ≥ 200 ms

PIN NAME	DEFINITION	FUNCTION
PU	Pulse signal ¹	High driver input clock pulses +5 V Low driver input clock pulses 0 V (GND)
DR	Motor direction signal	CW rotational direction +5 V CCW rotational direction 0 V (GND)
+5V	Control signal positive power	
MF	Motor enable signal	Enable rotation +5 V Disable rotation 0 V (GND)
A- A+ B- B+	Motor phases connection	
V+ V-	Power supply	18 - 36 VDC GND

CURRENT LIMIT SWITCH SETTINGS									
Nominal current	A	0.2	0.4	0.5	0.7	0.9	1.1	1.4	1.6
Max. current	A	0.3	0.5	0.7	1.0	1.3	1.6	1.9	2.2
SW1		ON	OFF	ON	OFF	ON	OFF	ON	OFF
SW2		ON	ON	OFF	OFF	ON	ON	OFF	OFF
SW3		ON	ON	ON	ON	OFF	OFF	OFF	OFF

MICRO-STEP SWITCH SETTINGS				
Micro-step/step	1	8	16	32
PUL/REV	200	1600	3200	6400
SW5	ON	OFF	ON	OFF
SW6	ON	ON	OFF	OFF

ALARM/PWR LED INDICATORS	
Green LED on	Power on
Green LED flashes	Fault detection

NOTES
1. Maximum pulse frequency 200 kHz.