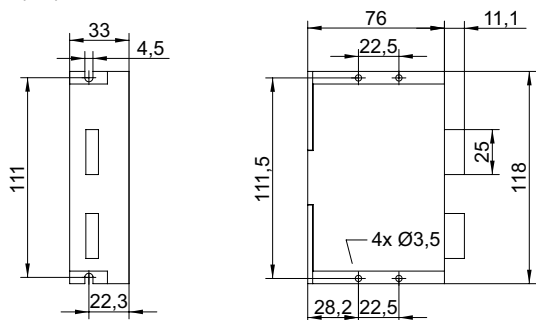
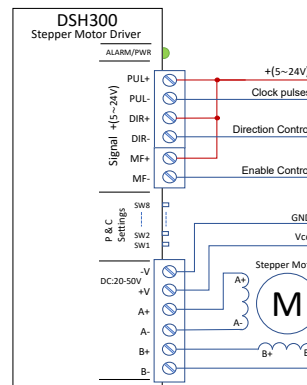


DRAWING (mm)



CAUTION! For signal voltages over 5 V (pins DIR+, PUL+ and MF+), only use current 15 mA or lower due to risk of overheating that may damage the driver.

DIAGRAM



OPTIONS POWER SUPPLIES



PHOTO



MODEL NO. DESIGNATION

DSH - NOMINAL CURRENT
Example: DSH-300

DRIVER DATA	
Model	DSH-300
Nominal current	A 3
Max. current	A 4.2
Weight	kg 0.25
IP rating	IP20
Operating temperature	°C 0 to 50

SWITCH	DESCRIPTION	ON SETTING	OFF SETTING
SW4	Full and half current	Full current always	Half current when pulse time ≥ 200 ms

PIN NAME	DEFINITION	FUNCTION
DIR-	Motor direction signal ²	CW rotational direction +5 V
DIR+	Motor direction Vcc	Enable direction control +5 V
PUL-	Pulse signal ^{1,2}	High driver input clock pulses +5 V
PUL+	Pulse Vcc	Enable clock pulses +5 V
MF-	Motor enable signal ²	Enable rotation +5 V
MF+	Motor enable Vcc	Enable the enable operation +5 V
A- A+ B- B+	Motor phases connection	-
V+ V-	Power supply	20 - 50 VDC GND

CAUTION! For signal voltages over 5 V (pins DIR+, PUL+ and MF+), only use current 15 mA or lower due to risk of overheating that may damage the driver.

CURRENT LIMIT SWITCH SETTINGS									
Nominal current	A	0.7	1.0	1.4	1.7	2.0	2.4	2.7	3
Max. current	A	1.0	1.5	1.9	2.4	2.8	3.3	3.8	4.2
SW1	ON	OFF	ON	OFF	ON	OFF	ON	OFF	ON
SW2	ON	ON	OFF	OFF	ON	ON	OFF	OFF	OFF
SW3	ON	ON	ON	ON	OFF	OFF	OFF	OFF	OFF

MICRO-STEP SWITCH SETTINGS															
Micro-step/step	2	4	8	16	32	64	128	5	10	20	25	40	50	100	200
PUL/REV	400	800	1.6K	3.2K	6.4K	12.8K	25.6K	1K	2K	4K	5K	8K	10K	20K	40K
SW5	OFF	ON	OFF	ON	OFF	ON	OFF	ON	OFF	ON	OFF	ON	OFF	ON	OFF
SW6	ON	OFF	OFF	ON	ON	OFF	OFF	ON	ON	OFF	OFF	ON	ON	OFF	OFF
SW7	ON	ON	ON	OFF	OFF	OFF	OFF	ON	ON	ON	ON	OFF	OFF	OFF	OFF
SW8	ON	ON	ON	ON	ON	ON	ON	OFF	OFF	OFF	OFF	OFF	OFF	OFF	OFF

ALARM/PWR LED INDICATORS	
Green LED on	Power on
Green LED flashes	Fault detection

NOTES

- Maximum pulse frequency 200 kHz.
- For signal voltages over 5 V (pins DIR+, PUL+ and MF+), only use current 15 mA or lower due to risk of overheating that may damage the driver.