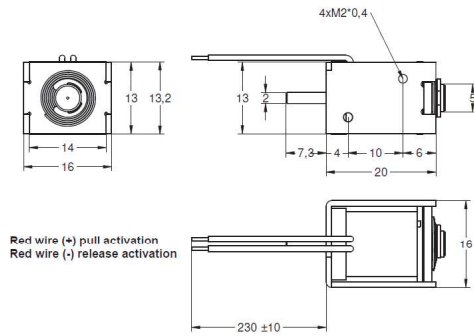


K0520S (latching push type)

DRAWING (mm)



PHOTO



MODEL NO. DESIGNATION

K0520S - VOLTAGE
Example: K0520S-12V

SOLENOID DATA

Duty cycle / ED (%) ▶	Continuous (100%)	Intermittent (50%)	Intermittent (25%)	Intermittent (10%)
Watts @ 20°C ▶	1.5	3	6	15
Maximum time in energized state (in seconds) ▶	∞	18	12	4

Part ▼	Resistance (20°C) ± 10% (Ω) ▼	DC Volts (V) ▼			
K0520S-06V	24	4.2	6	8.5	13.4
K0520S-12V	96	8.5	12	17	26.8
K0520S-24V	384	17	24	34	53.6

SOLENOID FEATURES AND STANDARD DATA

	STANDARD	CUSTOMIZATION OPTIONS
Type	Push type latching DC solenoid	
Cable	Flying wire 230mm	Length, type and connector
Voltage	6 to 24 VDC @ 100% ED	Other voltages upon request
Life time	At least 500.000 single strokes	
Plunger material	Carbon steel 12L14	
Protection class	IP00	
Insulation grade	B	
Operating temperature	-5°C ... +40°C	
Manufacturing quality standards	ISO9001:2008, ISO/TS 16949:2002	
RoHS compliance	Yes	
CE approval	No	
UL approval	No	

ADDITIONAL DATA

Holding force permanent magnet	200g
Weight	20g
Return spring	Yes

SPRING DATA

Loading force @ 3mm compression	18g
---------------------------------	-----

PLUNGER PROFILE



DIAGRAM

