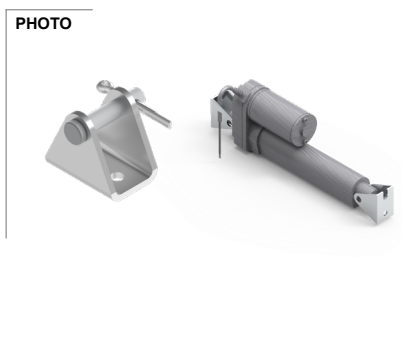
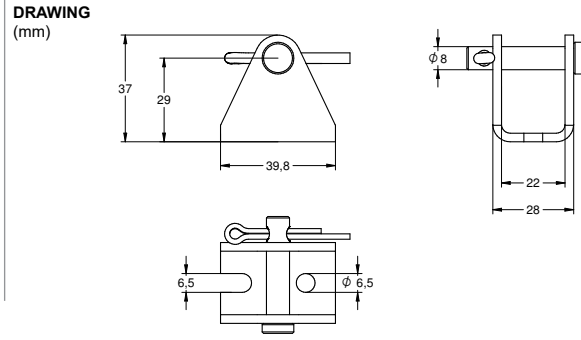
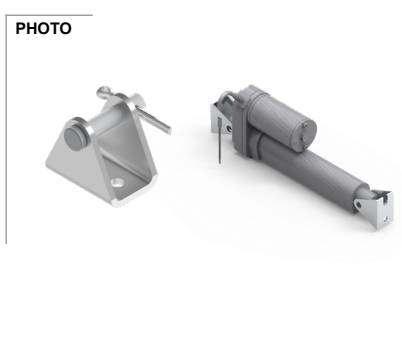
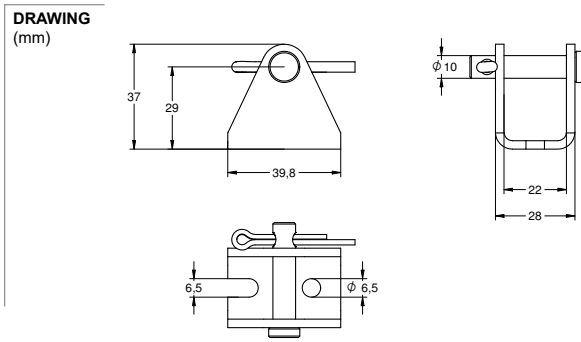


Linear Actuator Mounting Brackets

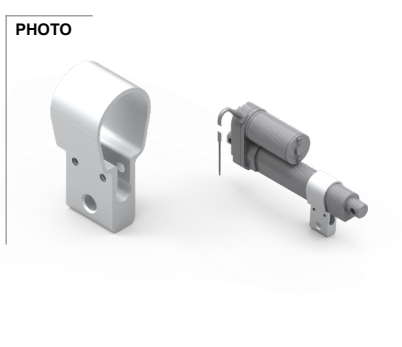
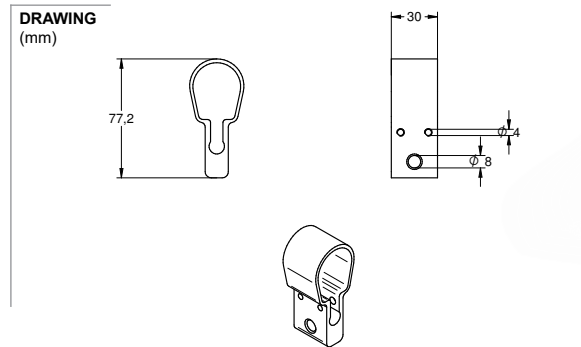
SPECIFICATIOINS ALA-12	
Part name	ALA-12
Compatibility actuator model	DLA
Bolt diameter mm	8
Max load N	3000
Material bracket	SPCC
Material bolt	Carbon steel
Material pin	Carbon steel
Total weight Kg	0.075



SPECIFICATIOINS ALA-12B	
Part name	ALA-12B
Compatibility actuator model	DLB
Bolt diameter mm	10
Max load N	3000
Material bracket	SPCC
Material bolt	Carbon steel
Material pin	Carbon steel
Total weight Kg	0.075



SPECIFICATIOINS ALA-22	
Part name	ALA-22
Compatibility actuator model	DLA
Material	Anodizing aluminum
Total weight Kg	0.050



SPECIFICATIOINS ALA-13	
Part name	ALA-13
Compatibility actuator model	DMA
Bolt diameter mm	12.85
Max load N	17000
Material bracket	Forged steel
Material bolt	Steel
Material pin	Steel
Total weight Kg	0.550

